

CAVAVIN
WINE CARE SOLUTIONS



COOLING
UNITS

CAVA1800D

UP TO 1800 CUBE FEET

COOLING UNIT



Cooling appliance (black painted metal and stainless-steel finish)

Installation in any room of the house and connected to the wine cellar by 6" diameter ventilation ducts

Includes 2 ventilation ducts: 6" diameter and 25 pi length

Digital thermostat Fahrenheit and Celsius installed on the unit, reaching a temperature range from **10 to 18°C (50 to 65°F)**

Hygrometry generated

Automatic defrost

BTU 5000

Air flow 350 CFM

Electrical need : dedicated circuit 20 amperes

Silent compressor (44 dB)

Refrigerant gas environmentally friendly

Warranty : **5 years** parts and labor and **8 years** compressor

Made in Quebec - CANADA

Approved **CSA/ETL**

SEE DIMENSIONS ON THE BACK



CAPACITY

For rooms
up to
1800 ft³



FINISH AND EXTERNAL
COLORS

Prepainted black
metal with
stainless-steel
front grid



DECIBEL

44 dB



POWER
CONSUMPTION

115 V
60 Hz
1100 W



DIMENSIONS

W 27.625"
D 20.875"
H 26.688"



WEIGHT

140 lbs



SHIPPING
WEIGHT

155 lbs



DIMENSIONS OF
THE BOX

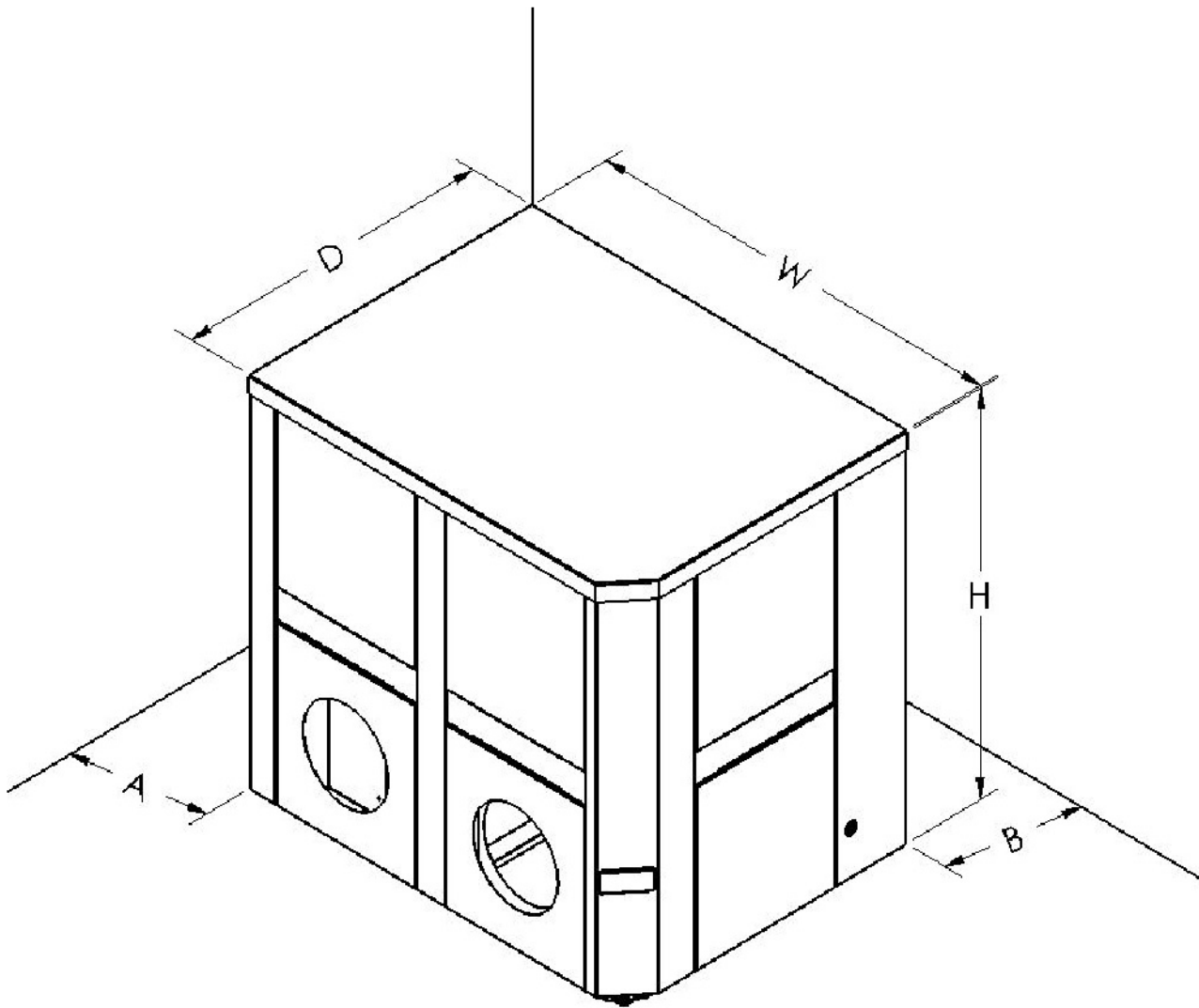
W 29.70"
D 22.88"
H 28.70"



COOLING
UNITS

CAVAVIN
WINE CARE SOLUTIONS

DIMENSIONS



CAVA 1800 D

H	Minimal height	26.688"	678 mm
W	Minimal width	27.625"	702 mm
D	Depth	20.875"	530 mm
A	Minimum ventilation distance	10"	254 mm
B	Minimum ventilation distance	10"	254 mm