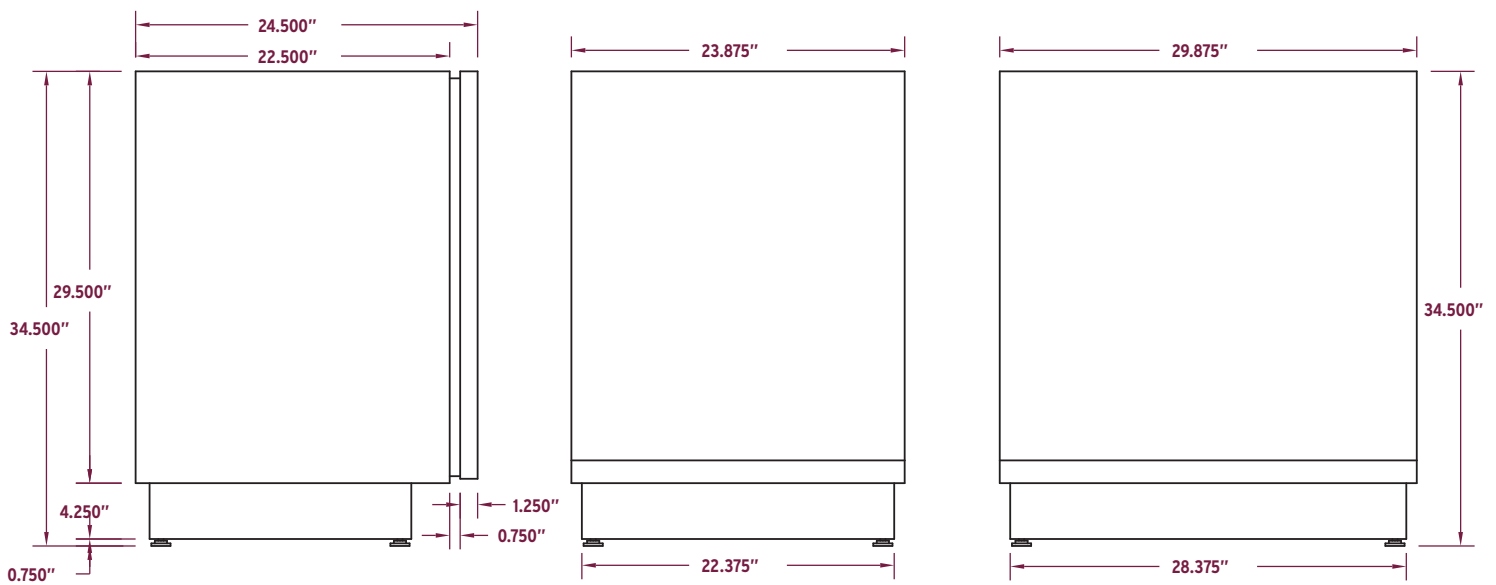


MODEL NUMBER

**061 btls and
073 btls
(side)**

**061 btls
(front)**

**073 btls
(front)**

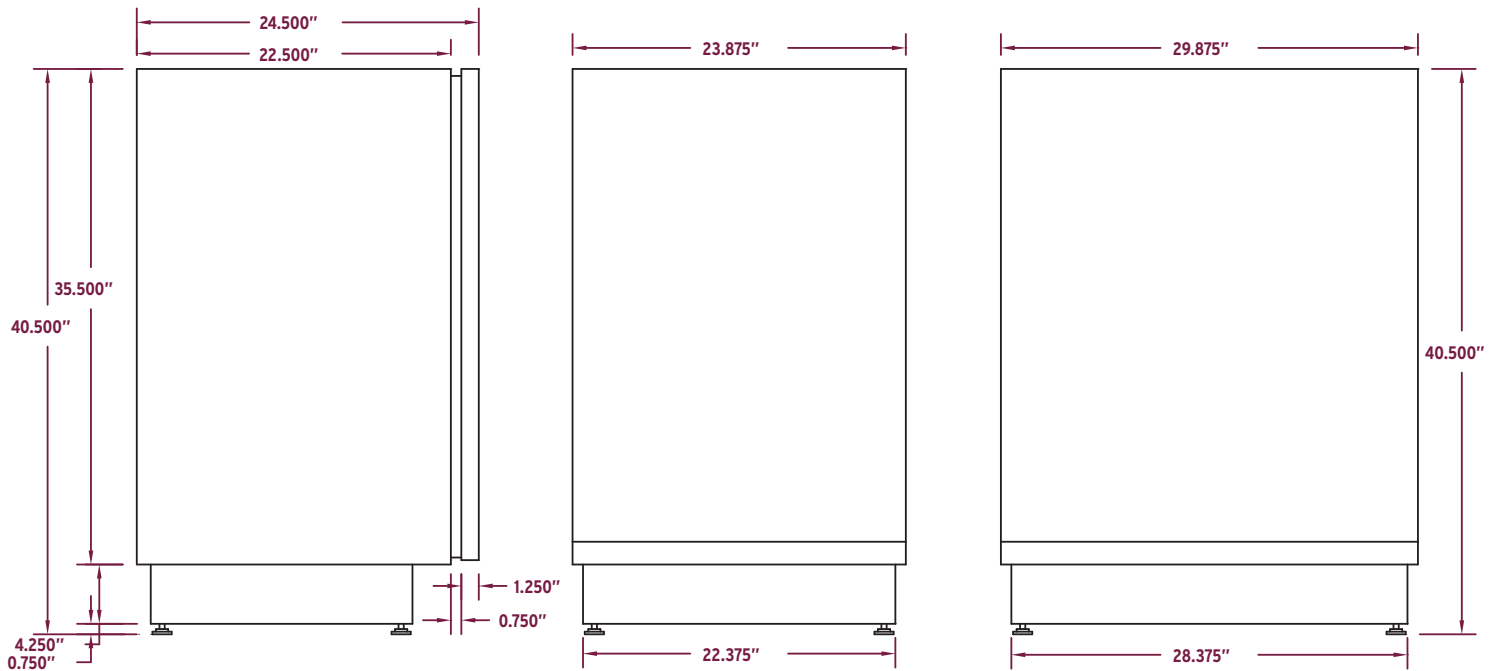


MODEL NUMBER

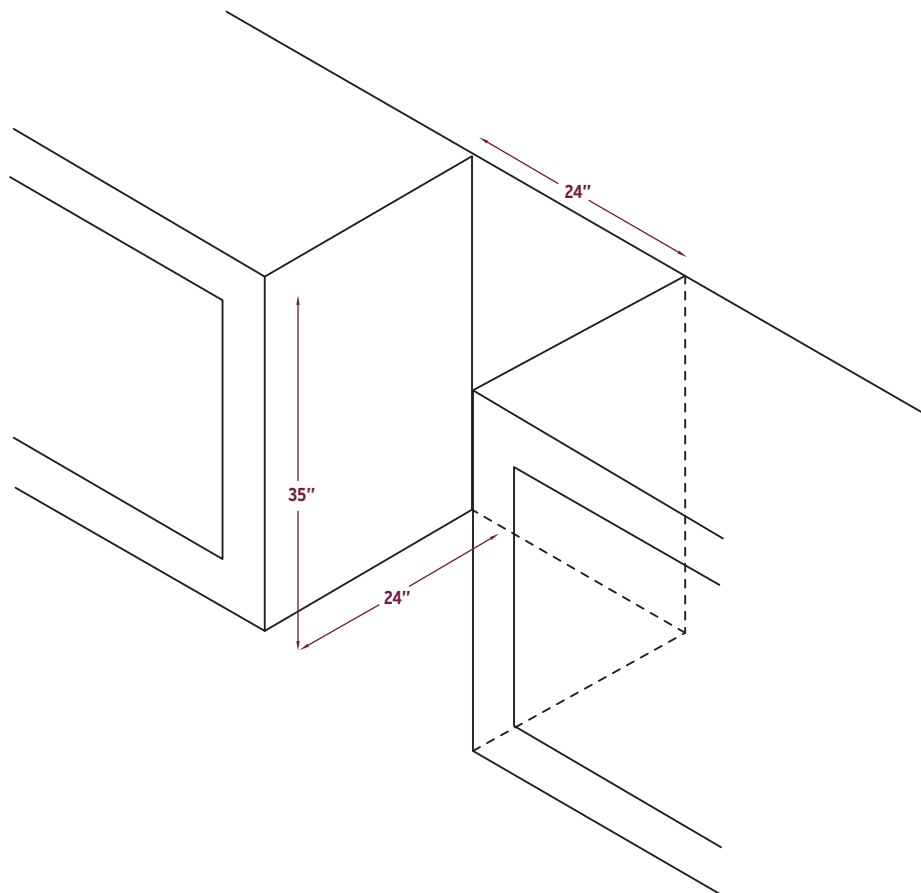
**083 btls and
099 btls
(side)**

**083 btls
(front)**

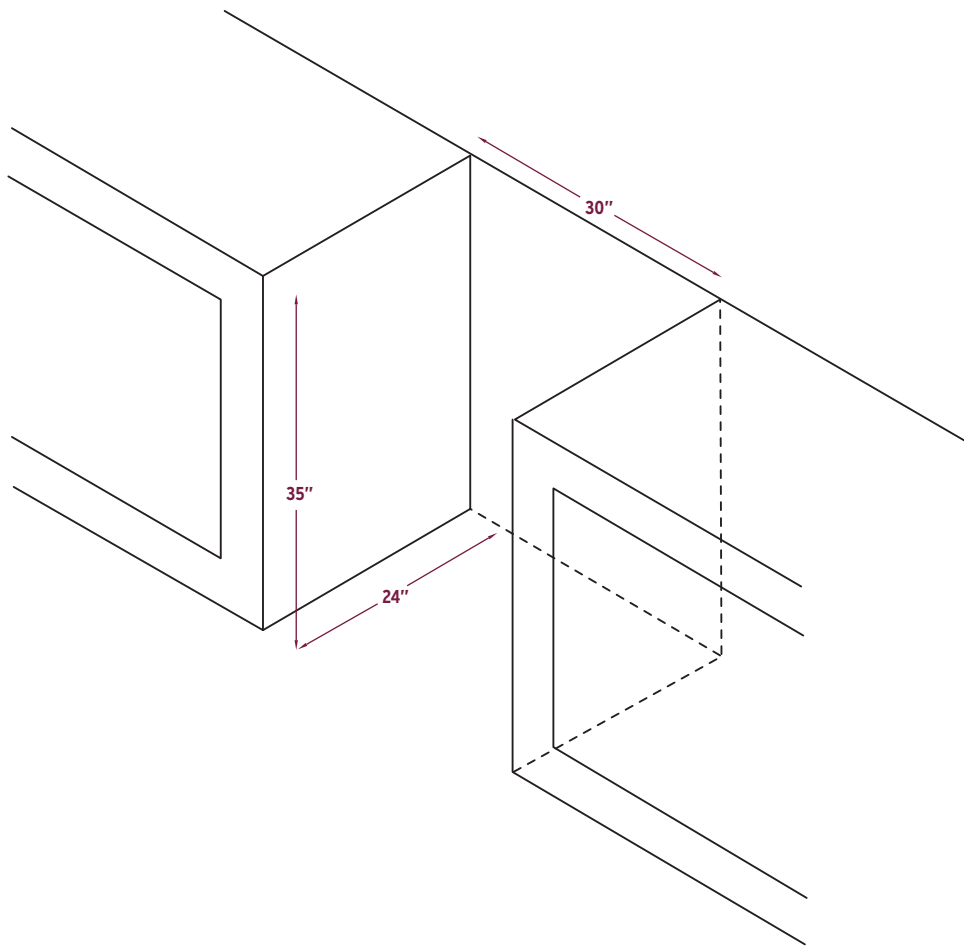
**099 btls
(front)**



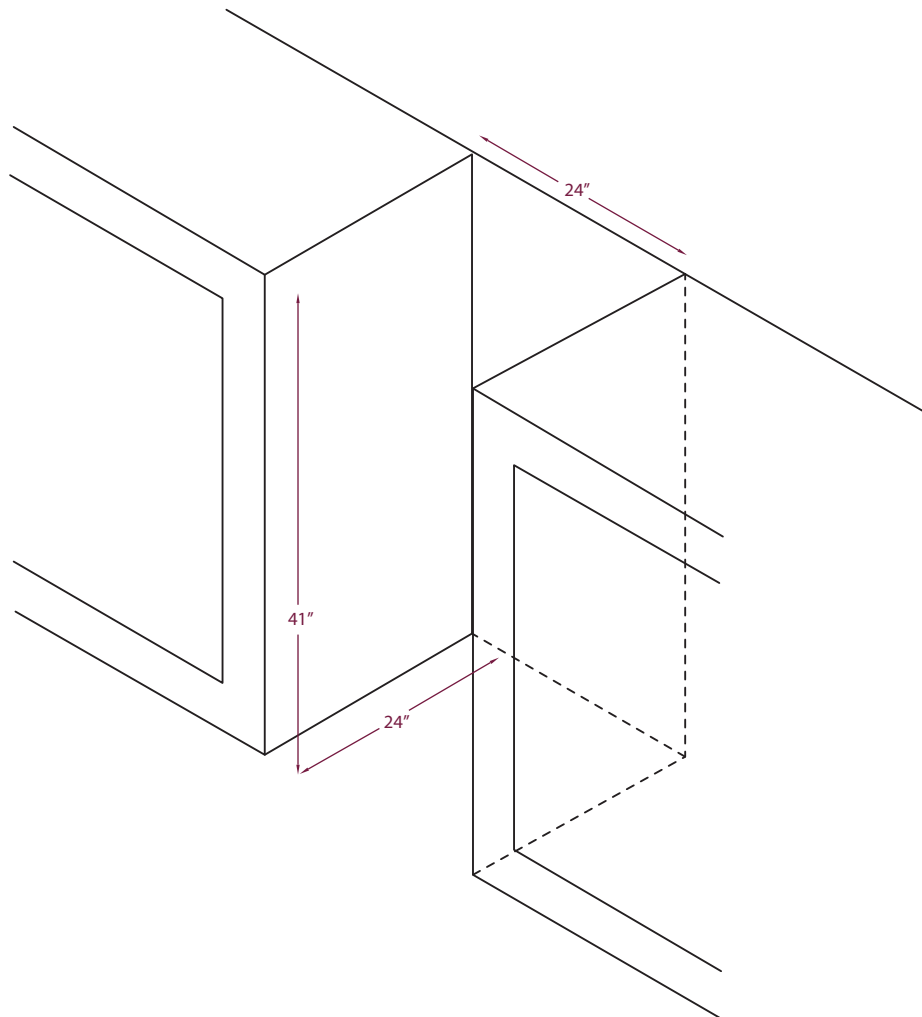
MODEL 061 btlS - OPENING



MODEL 073 btls - OPENING



MODEL 083 btls - OPENING



MODEL 099 btls - OPENING

